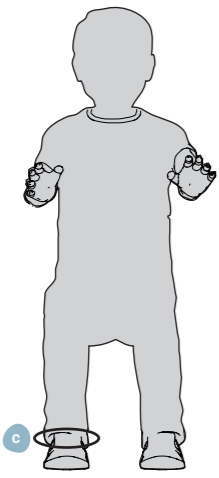


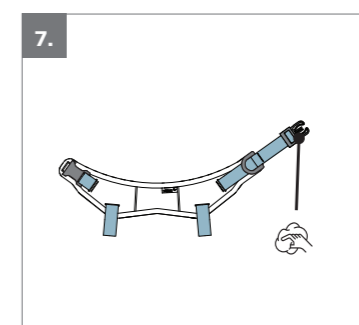
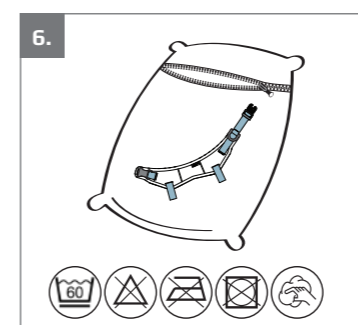
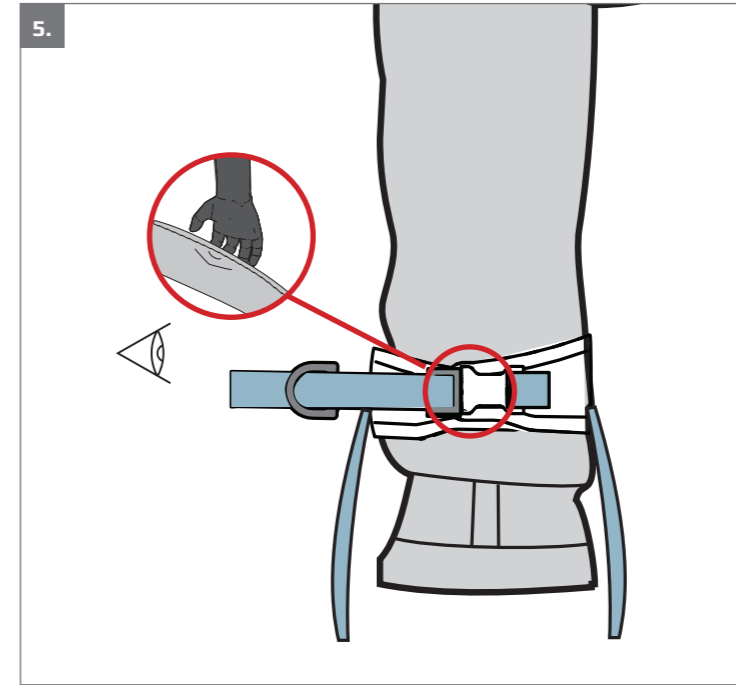
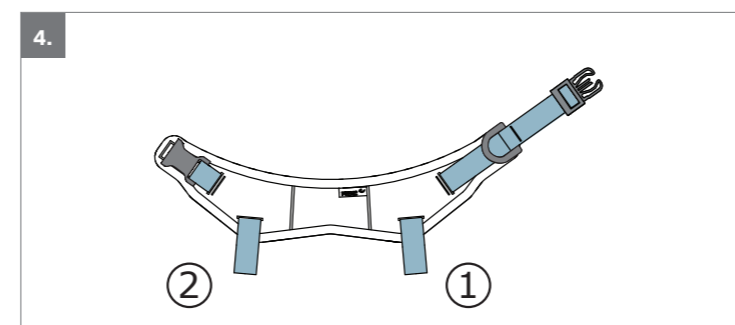
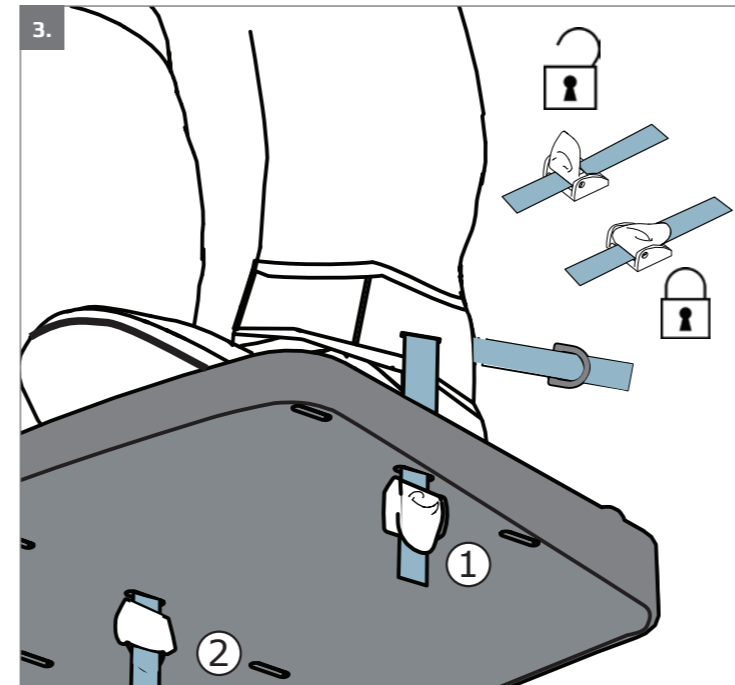
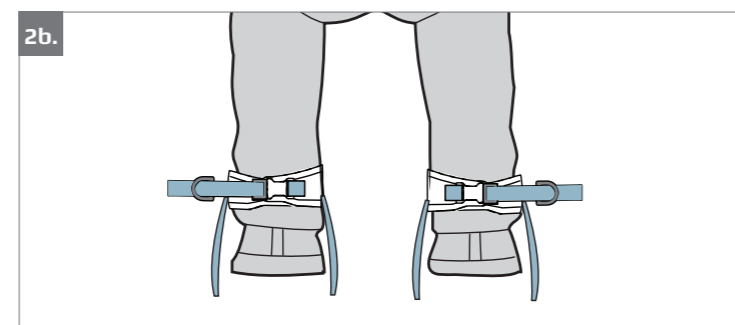
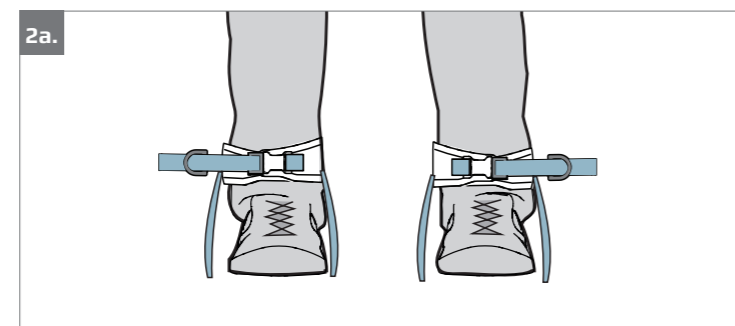
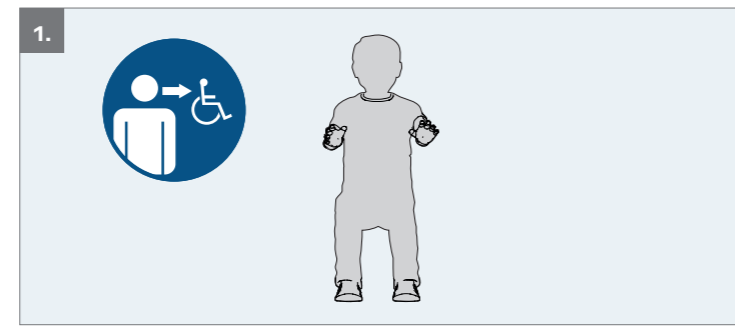


9996097622
 THE ANKLE STRAPS SHOULD ALWAYS BE USED TOGETHER WITH A Y-HIP BELT, PELVIS BELT OR SIMILAR PRODUCTS.

ANKLE STRAPS



	XS	M	XL
C (mm)	160-230	230-310	290-380
C (inch)	6¼-9"	9-12¼"	11½-15"



R82 A/S
 Parallevej 3
 8751 Gedved
 Denmark
 Tel +45 79 68 58 88
 Fax +45 75 66 51 92
 R82@etac.com



SUPPLIER INFORMATION:
<https://www.etac.com/brands/r82/>

Reserving our rights for printer's error or discontinued products
 Please find an updated edition on our website etac.com
 The design and patents are all registered design and patents of R82.
 © 2018 R82 A/S All rights reserved. The R82 logo and the icons are registered trademarks of R82 A/S

